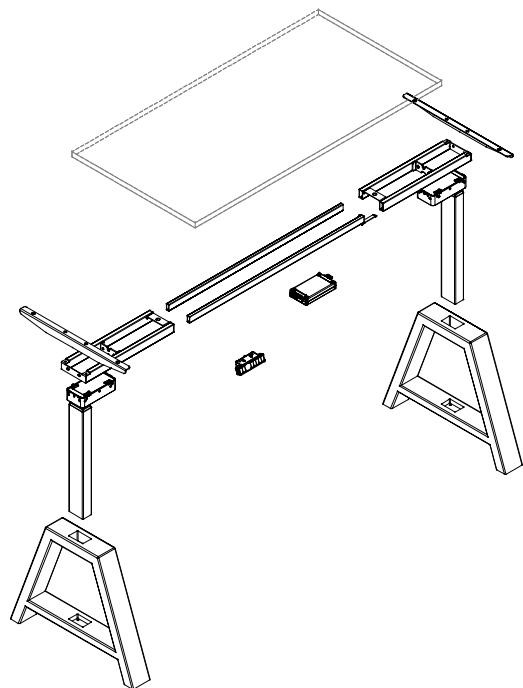
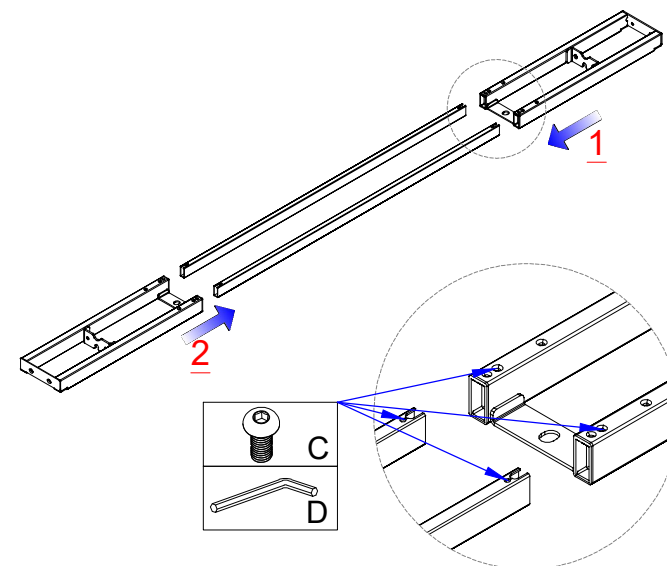


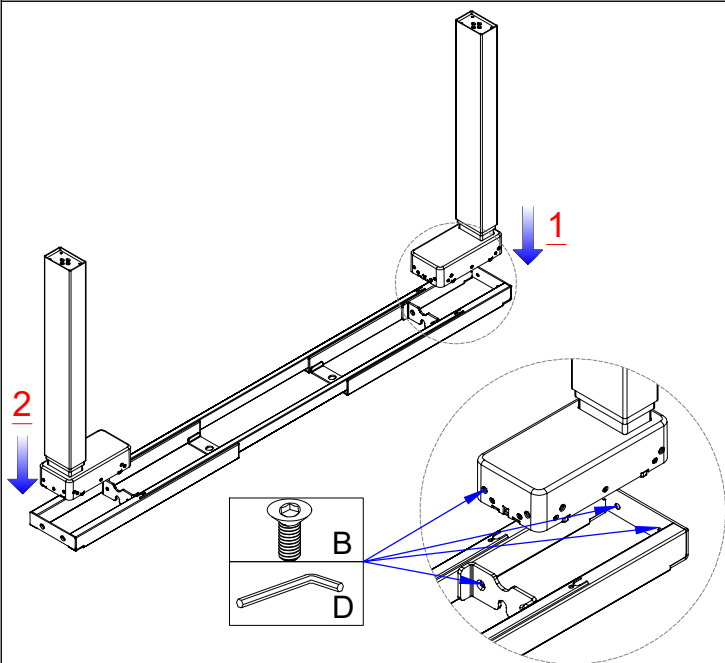
Assembly Instruction



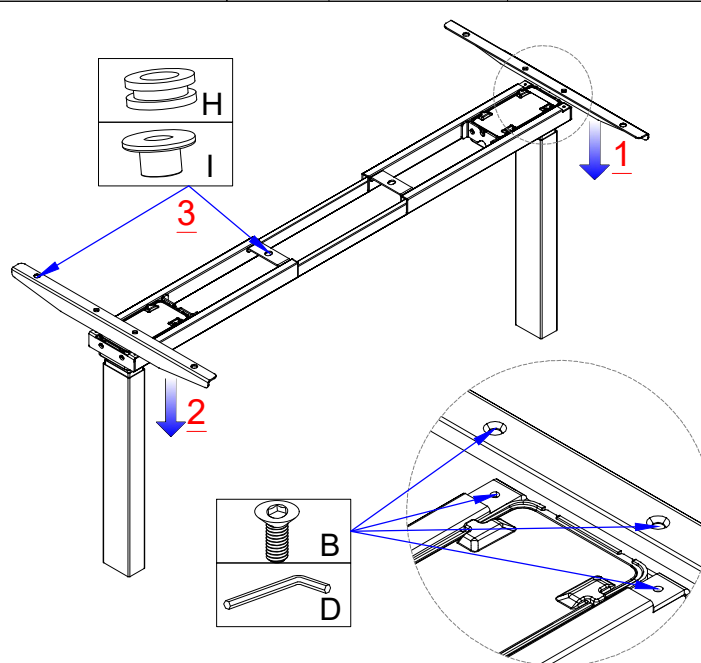
NO.	PICTURE	SIZE/QTY
A		M6*30=8
B		M6*12=12
C		M6*10=8
D		M4
E		ST4.8*25 =6
F		ST4.8*19 =2
G		ST3.5*19 =2
H		Rubber Cushion =6
I		Plastic Pad =6



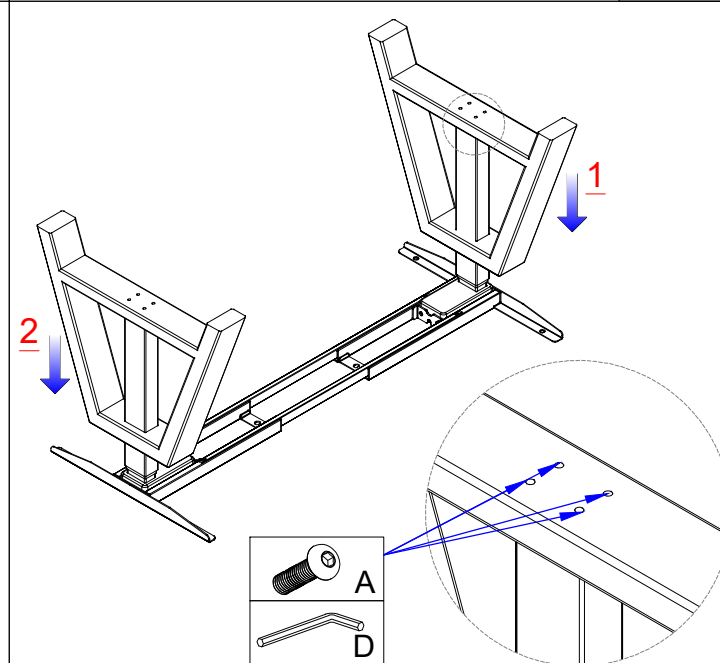
STEP 1



STEP 2

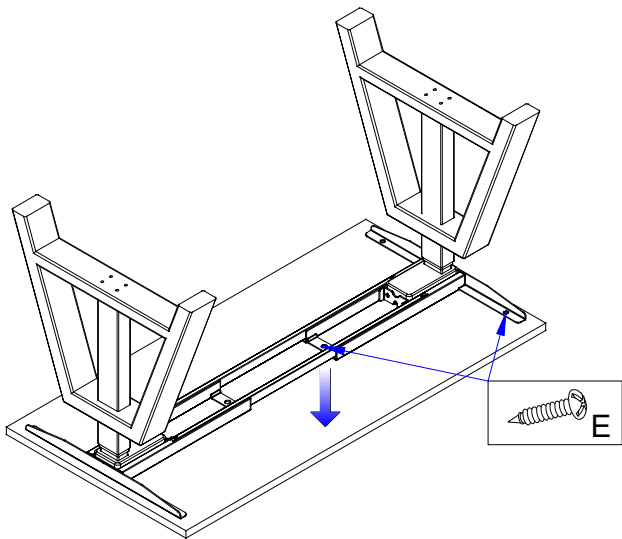


STEP 3

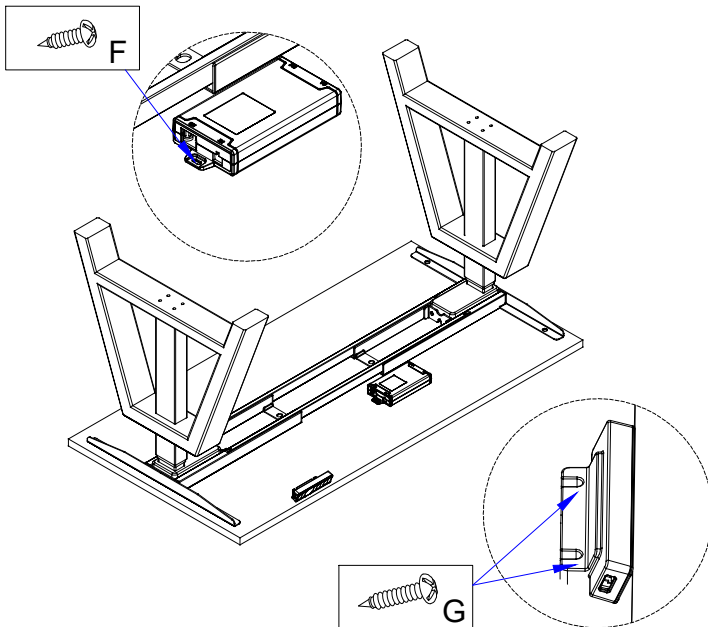


STEP 4

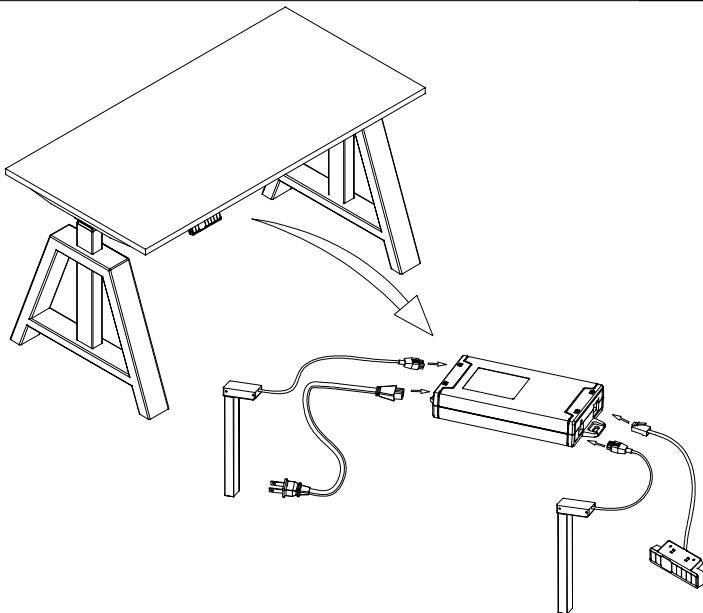
Assembly Instruction



STEP 5



STEP 6



STEP 7



STEP 8

STEP 9

STEP 10